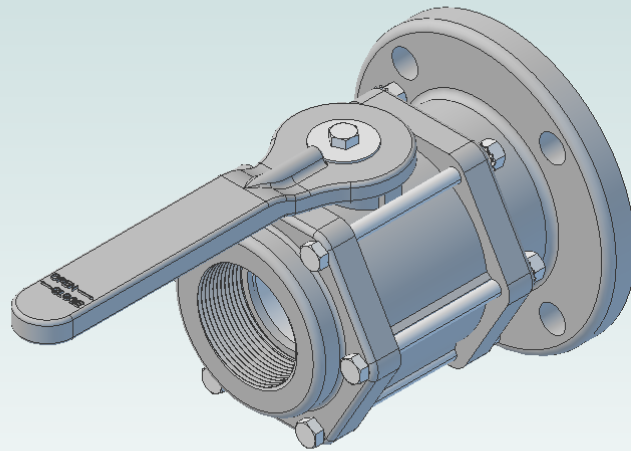


6011F-20 - 3" FLANGED BALL VALVE



MATERIAL - POLYPRO
POLYTEF
VITON
CAD HARDWARE